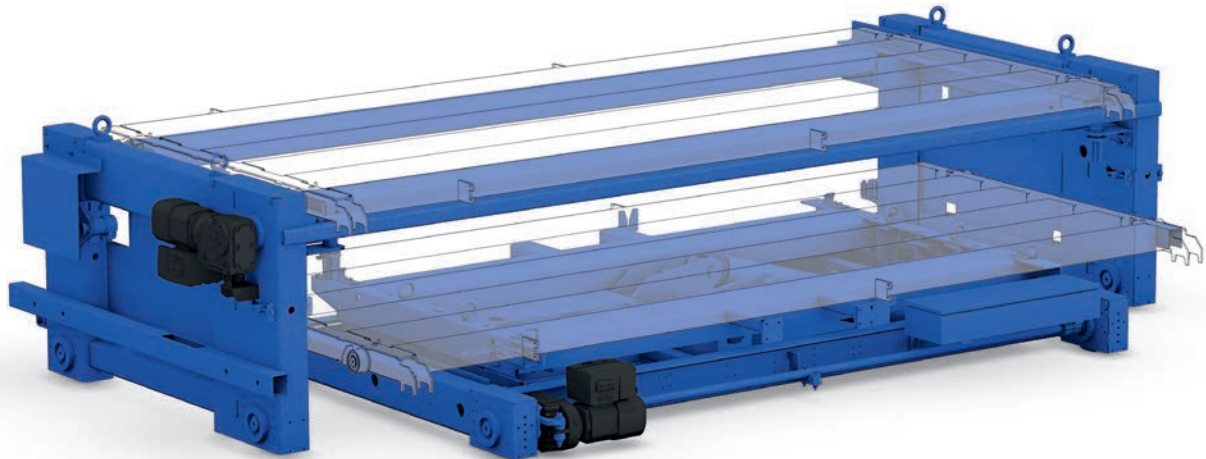


# DOUBLE CART

The duo for perfection: for quick, parallel loading and unloading of machines



**Save time and increase your productivity. With the DOUBLE CART from STOPA, you can significantly optimize your processes. The DOUBLE CART consists of a lower and upper cart and allows you to load and unload machines in parallel.**

While the lower cart reliably supplies the machines with raw sheets, the upper cart can store parts after production without the need for a pallet change. This enables faster cycle times and more efficient use of the connected machine. In addition, the use of the STOPA DOUBLE CART can also efficiently optimize subsequent processes. It adapts to individual requirements, as it is available in various versions. Thus, the lower cart can be configured both as a TRANSPORT CART and as a SCISSORS LIFT CART. Both lower and upper carts are also available with special functions such as spread magnets.

## BENEFITS AT A GLANCE →

- ▣ Two in one: The DOUBLE CART consists of a lower and an upper cart and allows almost simultaneous loading and unloading.
- ▣ Versatile versions: Customizable functions for specific needs possible.
- ▣ Fast cycle times: More efficient processes and optimized machine use.
- ▣ Compatibility: Available for all common sheet formats. Suitable for STOPA SYSTEM PALLETS and STOPA EPAL CARRIER.
- ▣ Long side and short side configurations possible.
- ▣ Compact design: Ideal for confined workspaces without loss of quality.
- ▣ Easy operation: Manual operation as well as automatic operation possible.